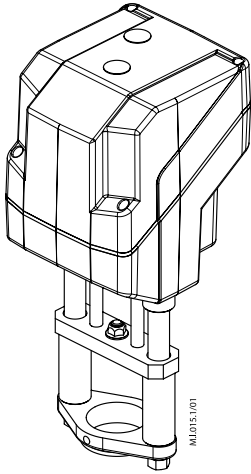
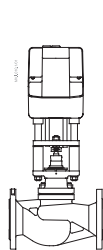


Operating Guide

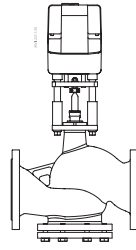
AMV 85, AMV 86



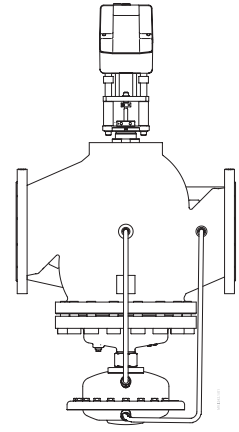
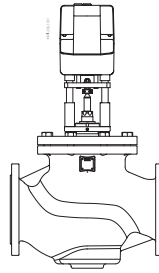
AMV 85/86 +
VFS 2 (DN 65 - 100)



AMV 85/86 +
VF 2, VF 3 (DN 125 - 150)



AMV 85/86 +
VFM 2 (DN 150-250)



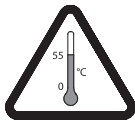
AMV 85/86 +
AFQM (DN 150 - 250)



MAINTENANCE
FREE



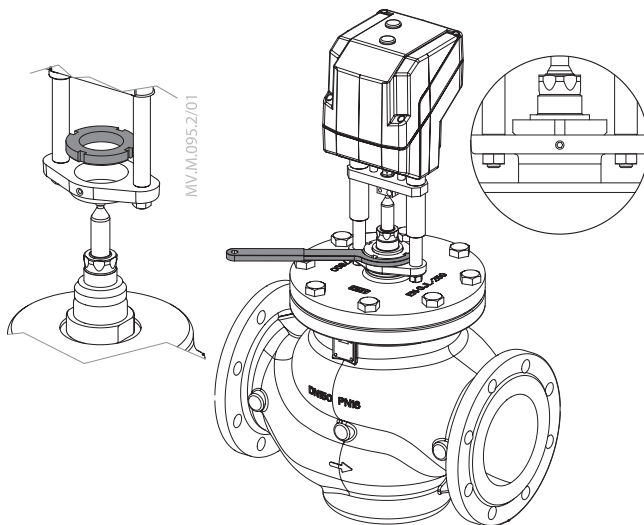
5-95 % RH
no condensing



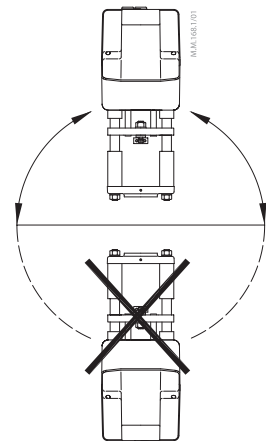
= AUTO =	 4 - 6 mm x 1 mm	 8 mm	 NH 10
-------------	---------------------	----------	-----------

1

①

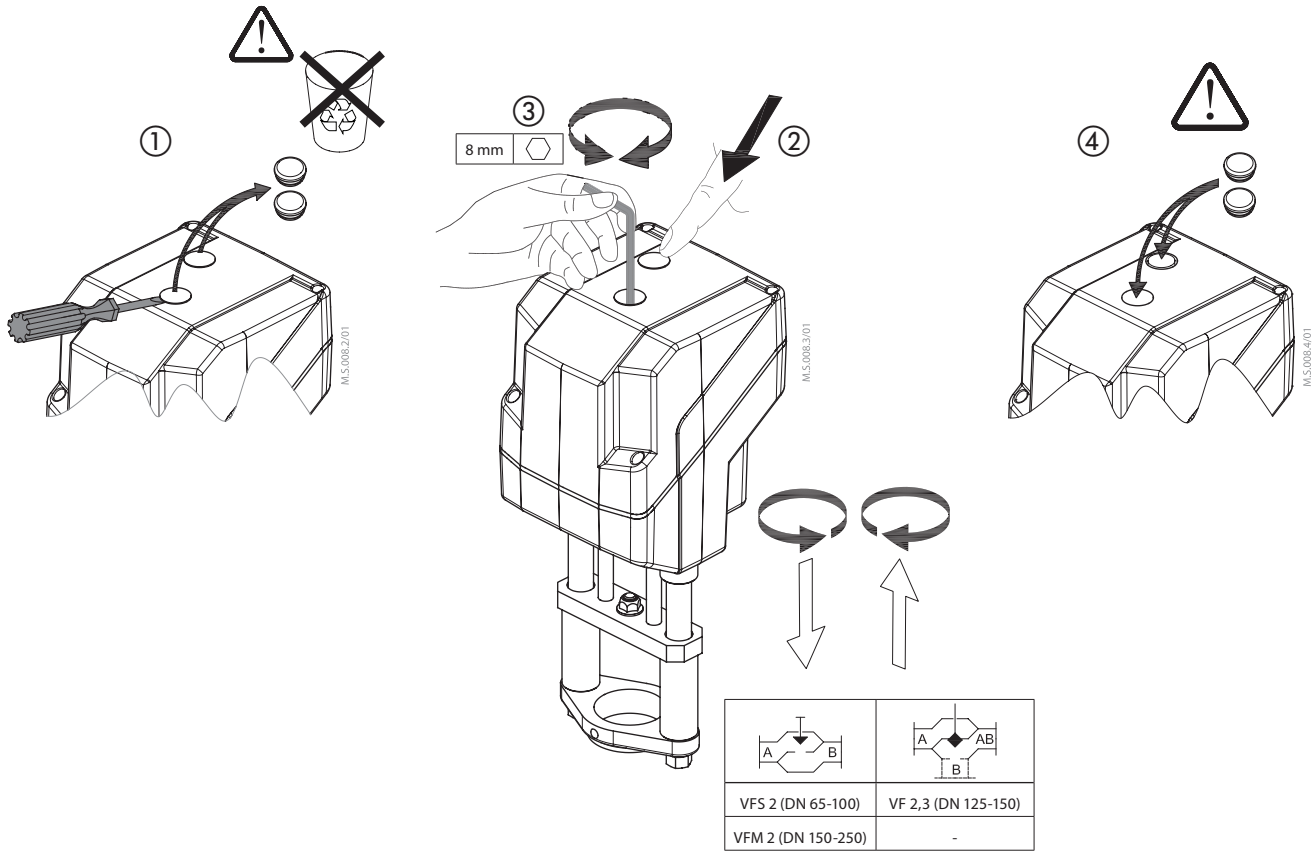


②

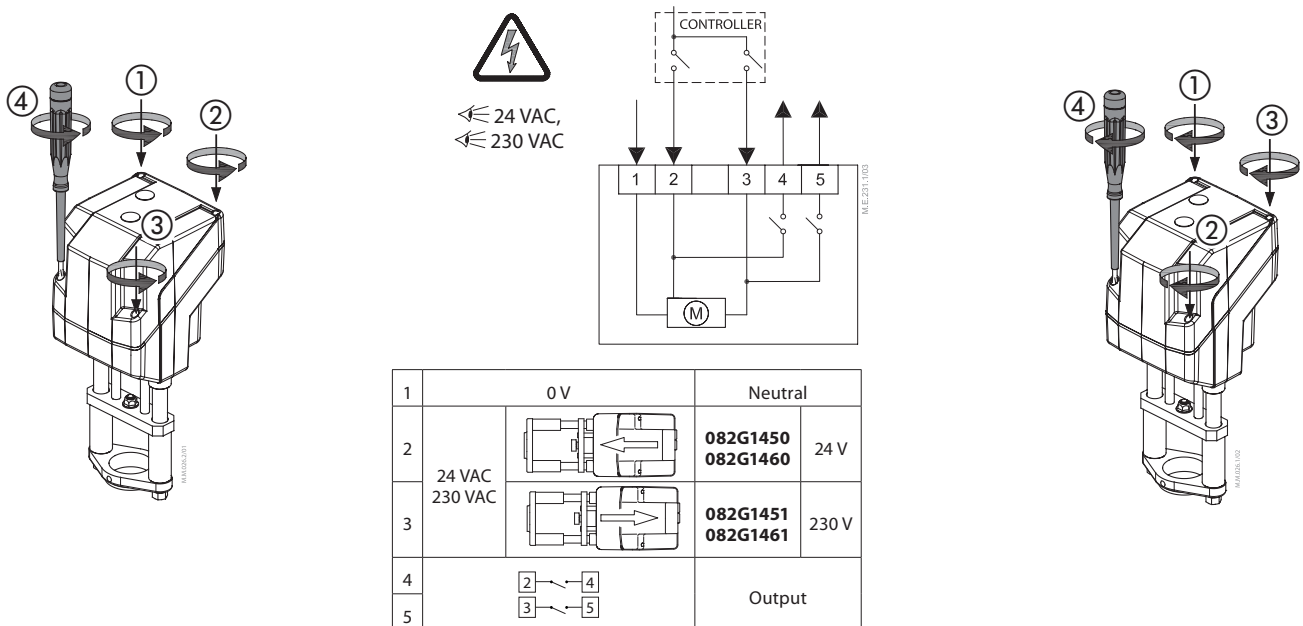


AMV 85, AMV 86

2

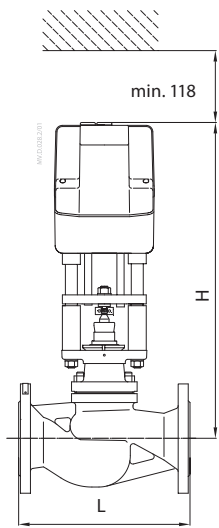
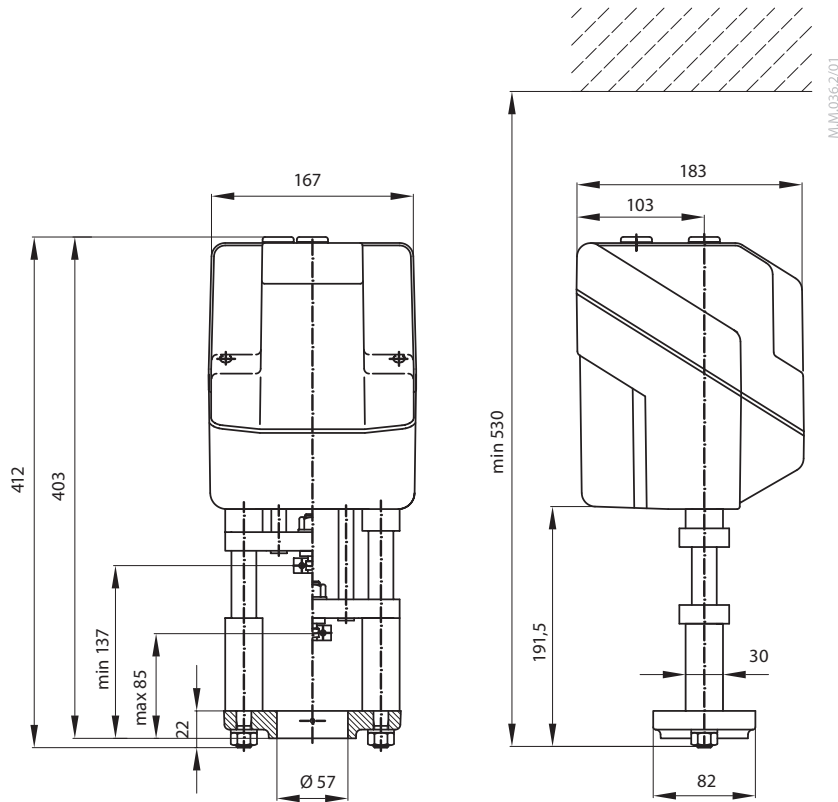


3



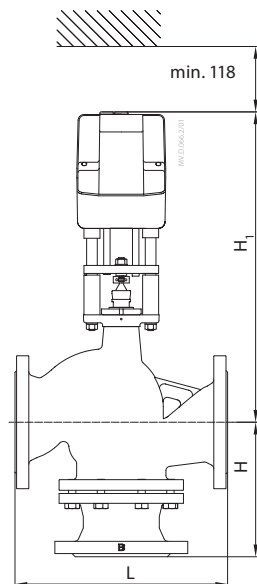
AMV 85, AMV 86

4



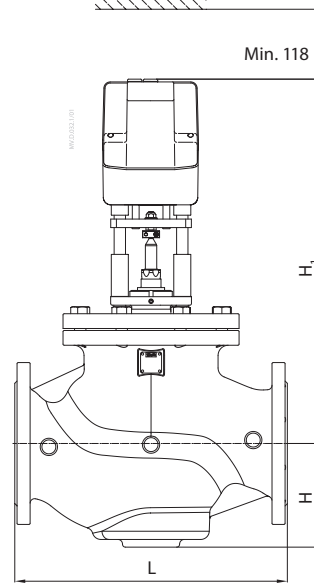
AMV 85, AMV 86 + VFS 2 (DN 65-100)

DN	L	H
	mm	
65	290	568
80	310	587
100	350	614



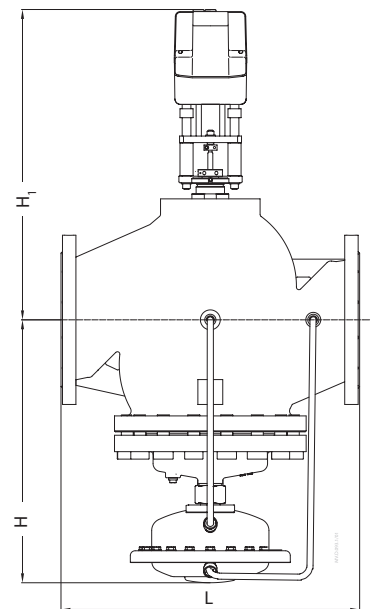
AMV 85, AMV 86 + VF 2, VF 3 (DN 125, 150)

Type	DN	L	H	H ₁
		mm		
VF 2	125	400	160	629
	150	480	200	682
VF 3	125	400	250	629
	150	480	300	682



AMV 85, AMV 86 + VFM 2 (DN 150-250)

Type	DN	L	H	H ₁
		mm		
VFM 2	150	480	182,5	639
	200	600	245	685
	250	730	267	732



AMV 85, AMV 86 + AFQM (DN 150-250)

DN	L	H	H ₁
	mm		
150	480	576	455
200	600	652	483
250	730	656	533



AMV 85, AMV 86

Part Name 部件名称	Hazardous Substances Table/有害物质含量表					
	Lead (Pb) 铅 (Pb)	Mercury (Hg) 汞 (Hg)	Cadmium (Cd) 镉 (Cd)	Hexavalent Chromium (Cr(VI)) 六价铬 (Cr(VI))	Polybrominated biphenyls (PBB) 多溴联苯 (PBB)	Polybrominated diphenyl ethers (PBDE) 多溴二苯醚 (PBDE)
Guides 说明书	X	O	O	O	O	O
Position indicators 位置指示器	X	O	O	wO	O	O
Gears 齿轮	X	O	O	O	O	O
Bushings 轴套管	X	O	O	O	O	O
Motor adapter* 电机适配器*	X	O	O	O	O	O
O: Indicates that this hazardous substance contained in all of the homogeneous material for this part is below the limit requirement in GB/T 26572; O: 表示该有害物质在该部件所有均质材料中的含量均在GB/T 26572规定的限量要求以下。 X: Indicates that this hazardous substance contained in at least one of the homogeneous material for this part is above the limit requirementw in GB/T 26572; X: 表示该有害物质至少在该部件的某一均质材料中的含量超出GB/T 26572规定的限量要求。						

* Only in AMV 86;
* 仅限于AMV 86