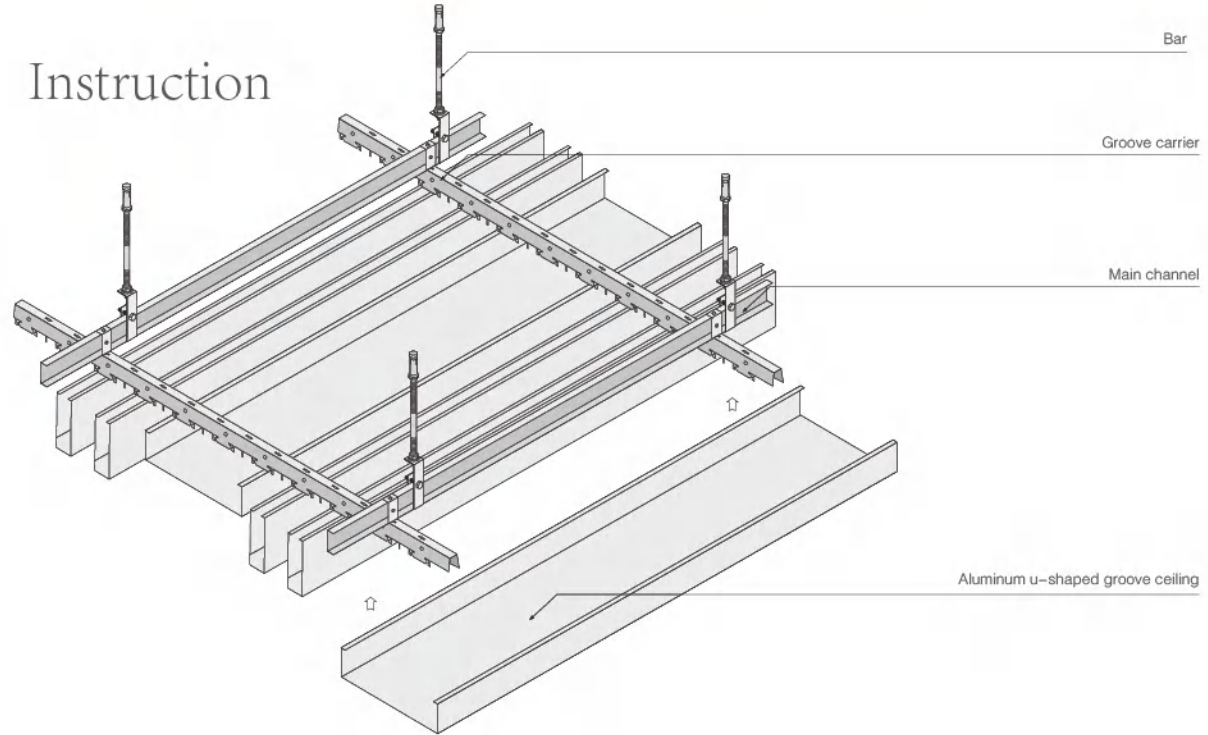


ALUMINUM U-SHAPED GROOVE CEILING

- The aluminum U-shaped groove ceiling, arranged neatly on the same height, makes wide vision, which also convenient for the ventilation, fire sprinklers . The ceiling is firmly installed, easy to assemble and disassemble, collocate well with the lights and convenient for maintenance. Besides, even color of the product can keep unfaded indoor for 10 years.
- Suitable for corridors, bars, libraries, clubs, exhibitions, railway stations, airports, shopping malls, offices and other places.



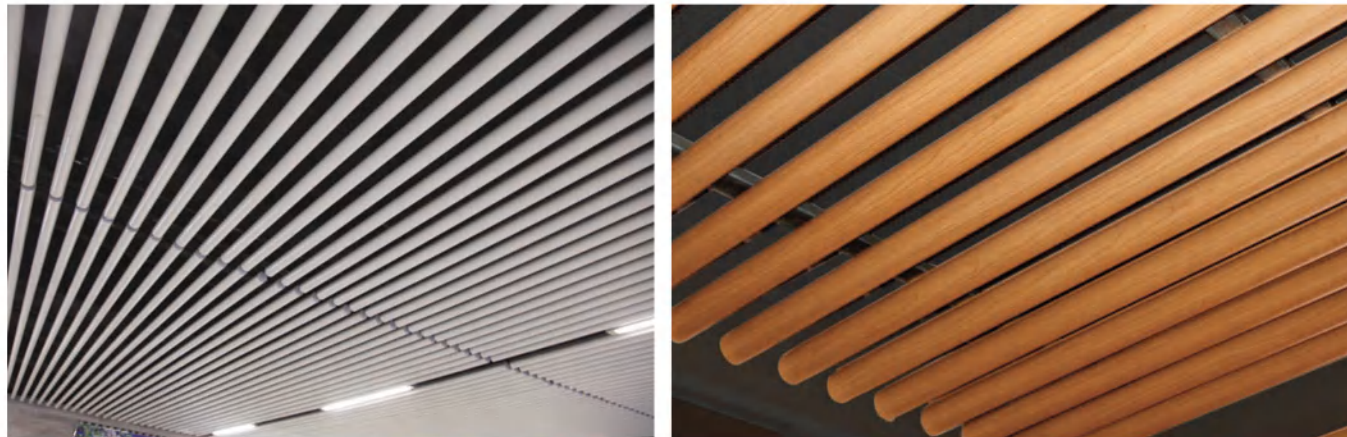
Instruction



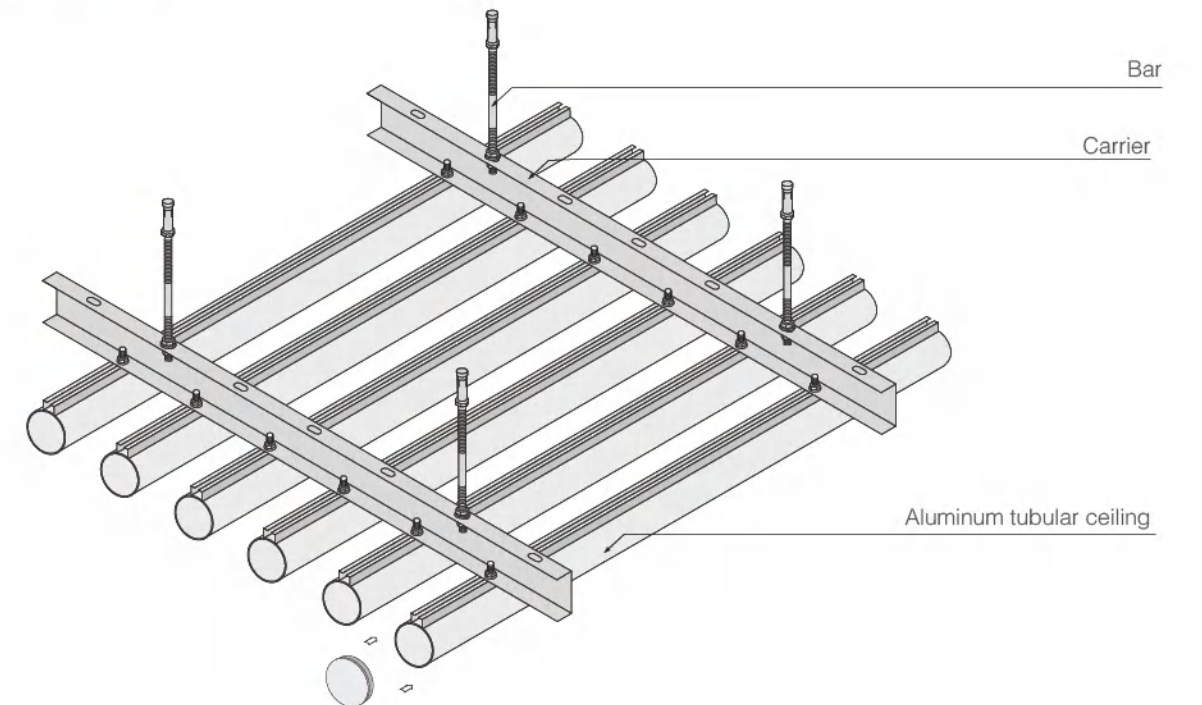


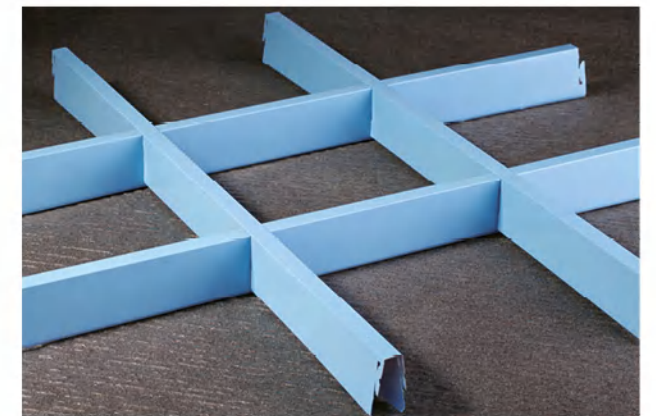
- The aluminum tubular ceiling is the round beam structure, simple and elegant, the streamlined vision which can adjust the visual image and not affecting the fire sprinklers.
- The specialized manufacture, creates a unique visual effect, also, the open structure, makes a wide visual image.

ALUMINUM TUBULAR CEILING



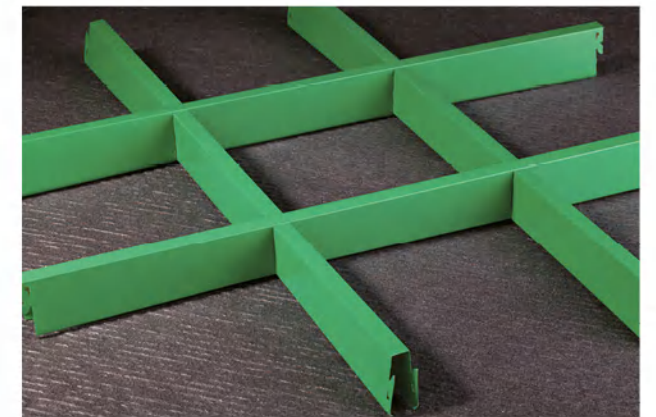
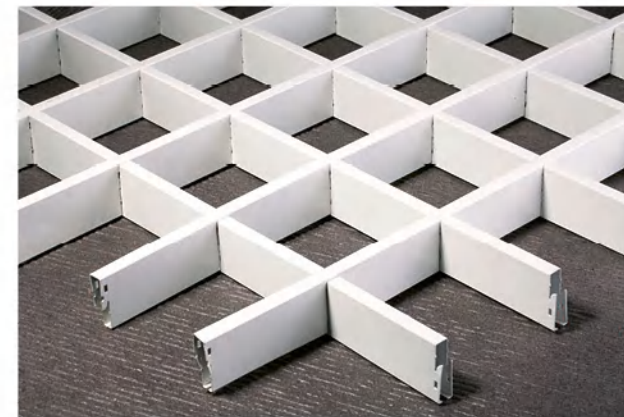
Instruction





● Aluminum ceiling grid is composed of grid main part, grid vice part and main channel. The grid ceiling is decorative one, which is criss-cross design, unit combination and open style.

● Well-ventilated, fire-proof, easy to install, special layered structure, open stereoscopic feeling, beautiful and colorful.

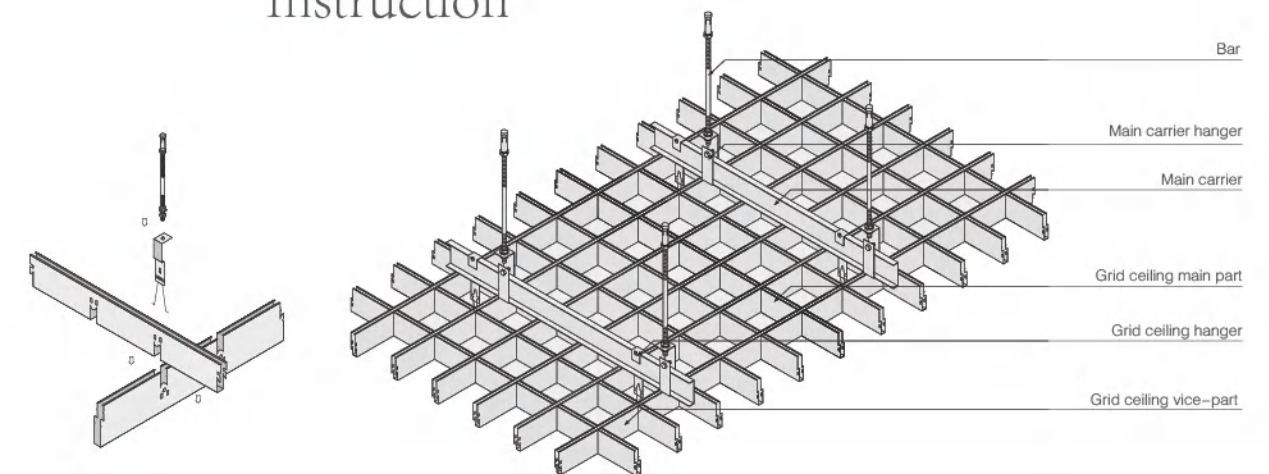


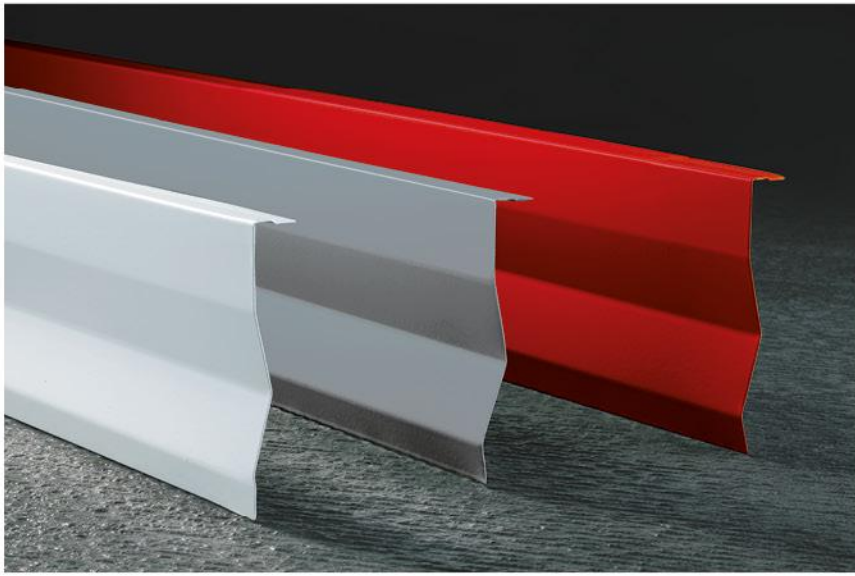
ALUMINUM GRID CEILING

Face width(W)	10mm	15mm	20mm											
Height(H)	30mm	38mm	40mm	45mm	50mm	55mm	60mm	65mm	70mm	80mm	90mm	100mm		
Cell interval(D)	50*50mm	75*75mm	100*100mm	125*125mm	150*150mm	200*200mm	250*250mm	300*300mm						



Instruction

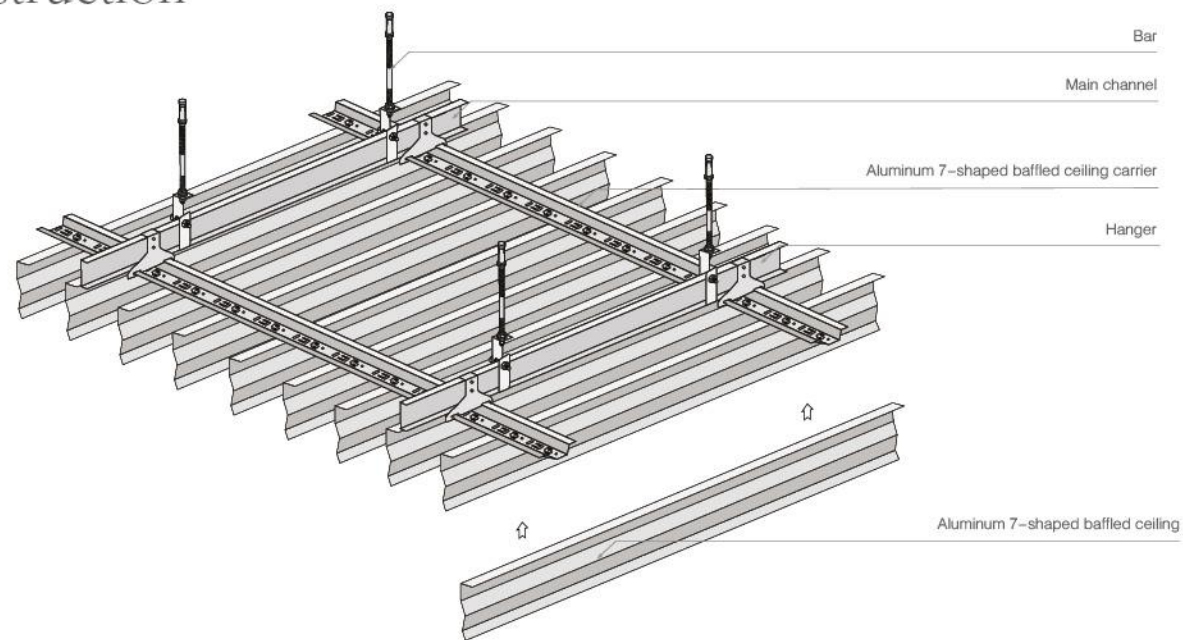




ALUMINUM 7-SHAPE BAFFLED CEILING

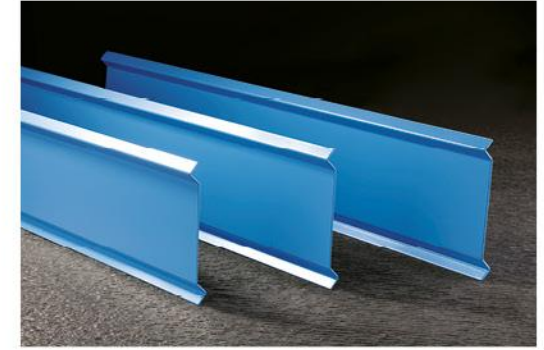
- By one-way installation of the ceiling, creating a screen vision. With the bright and elegant lines, 7-shaped baffled ceiling can produce the curtain effect if it choose appropriate height and visual angle. Moreover, it is easy to maintain and the whole space is commodious and ventilated.
- Suitable for office buildings, offices, corridors, airports, railway stations, factories, hospitals, clubs, banks, shopping malls, exhibition halls and so on.

Instruction

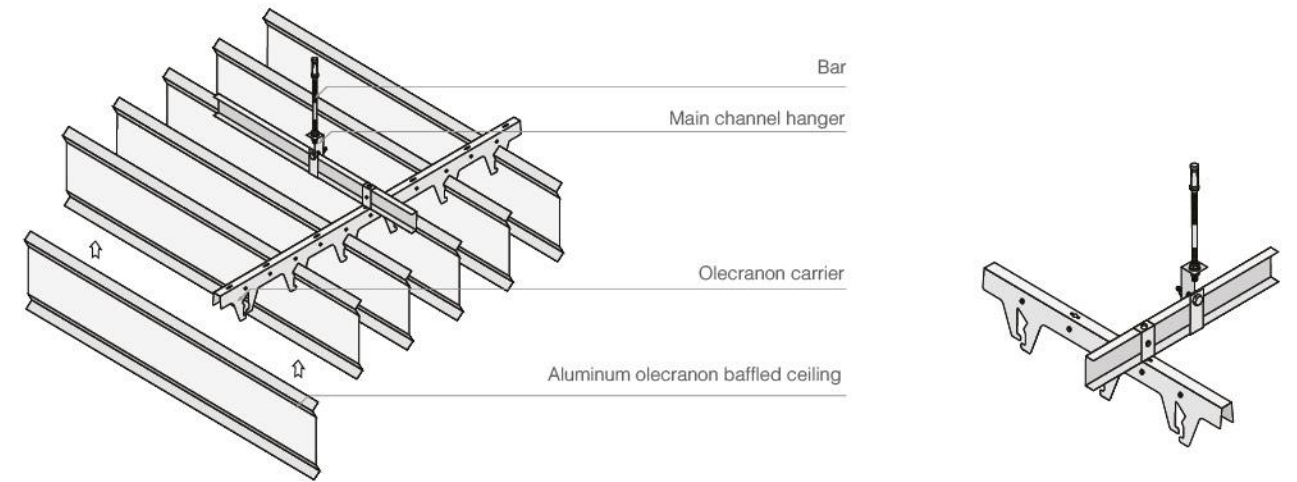


ALUMINUM OLECRANON BAFFLED CEILING

- Made of aluminum panel, electrostatic powder coating, olecranon baffled ceiling impresses people of the stable structure, moreover, it is fireproof, corrosion resistance, dampproof, sound-absorbing. Inserting straight to install, it is easy to assemble and unassemble, convenient for other equipments to maintain, such as electrical wire, water pipe, lighting, fire fighting device.
- Suitable for all kinds of channels of large public buildings, airports, exhibition halls, shopping centers, stations, tunnel corridors, etc.



Instruction



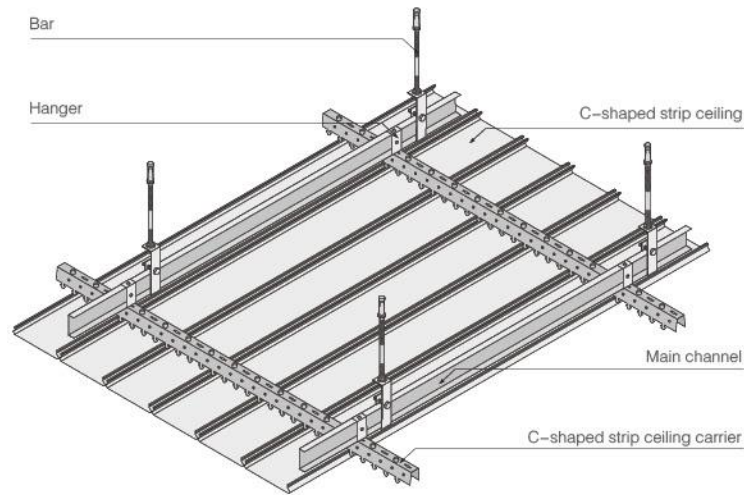
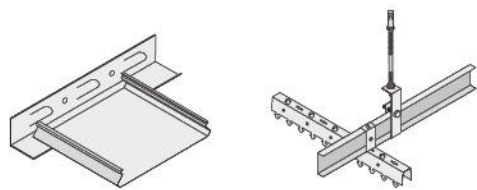
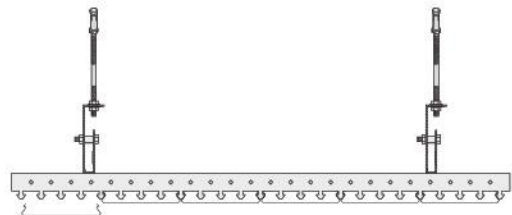
- The strip shape, smooth panel, close seam, clear line, C-shaped strip ceiling can form varieties of combination according to the width. The entire ceiling is neat, natural, compact arrangement, perspective space, modern style, also fireproof, corrosion resistance, dampproof, easy to assemble and disassemble. Besides, adding a piece of SoundTex on the backside of the punching panel is beneficial for Sound-absorbing.

- Suitable for shopping malls, hotels, office buildings, senior housing and so on.



C-SHAPED STRIP CEILING

Instruction



Width(W)	75mm	100mm	150mm	200mm	300mm
Thickness (D)	0.6-1.0mm				
Length (L)	customized				
Height(H)	15.5mm				



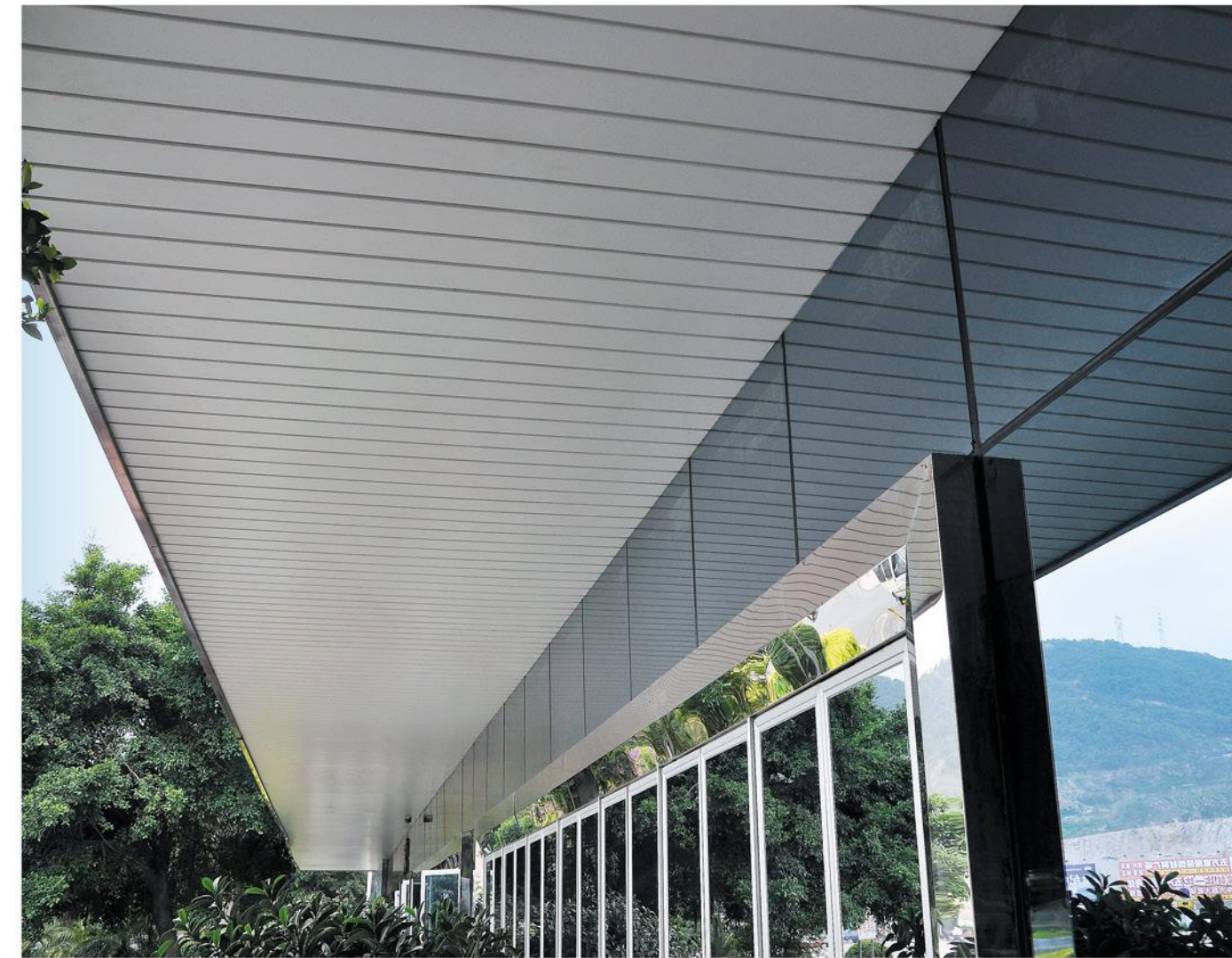
S-SHAPED STRIP CEILING

● With critic and scientific design, S-shaped strip ceiling is elegant and nature. On one hand, the ceiling relieves the drabness of the space, the fashion of streamlines fully spreads out, on the other hand, based on the special windproof design, the smooth and sealed panel reduces the dust, dirt and energy loss.

● Applicable to the corridor, swimming pools, gas stations, railway stations, airports and outdoor decorations.

	Straight angle	Beveled angle
Width(W)	300mm	300mm
Thickness(D)	0.8-1.0mm	0.8-1.0mm
Height(H)	28mm 30mm	30mm
Length (L)	customized	customized

Standard thickness: 0.8mm



Instruction

