

III

THE CREATIVE SPACE

Standard size products used with normal ceilings, same installation .To select the below standard parts, creating a flexible and exquisite space.Beside the tradition white color, golden, silver and wood grain are also available

YCCY-001 Interval groove

Available width: 100mm, 150mm

Clip-in assembly

Lay-in assembly

Components

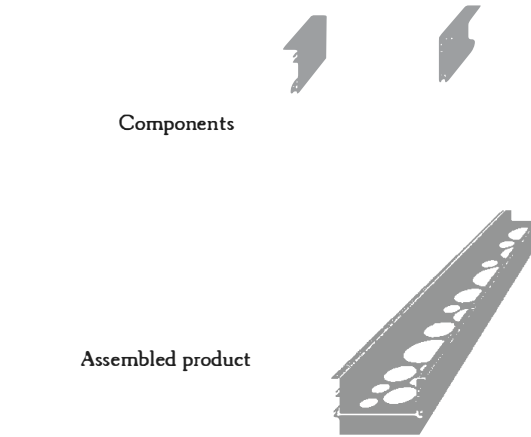
Components

Assembled product

Assembled product



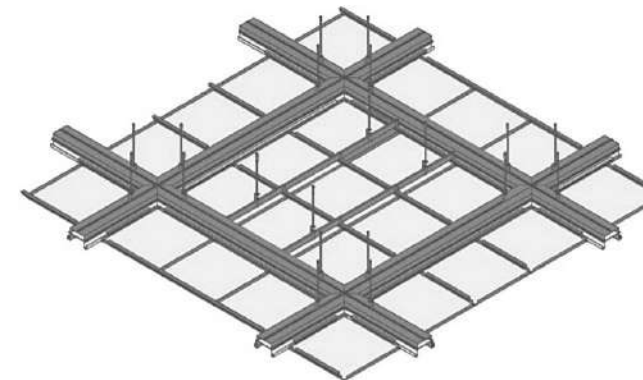
Installed structure for Clip-in type



Installed structure for Lay-in type



Instruction



Available LED lights as below

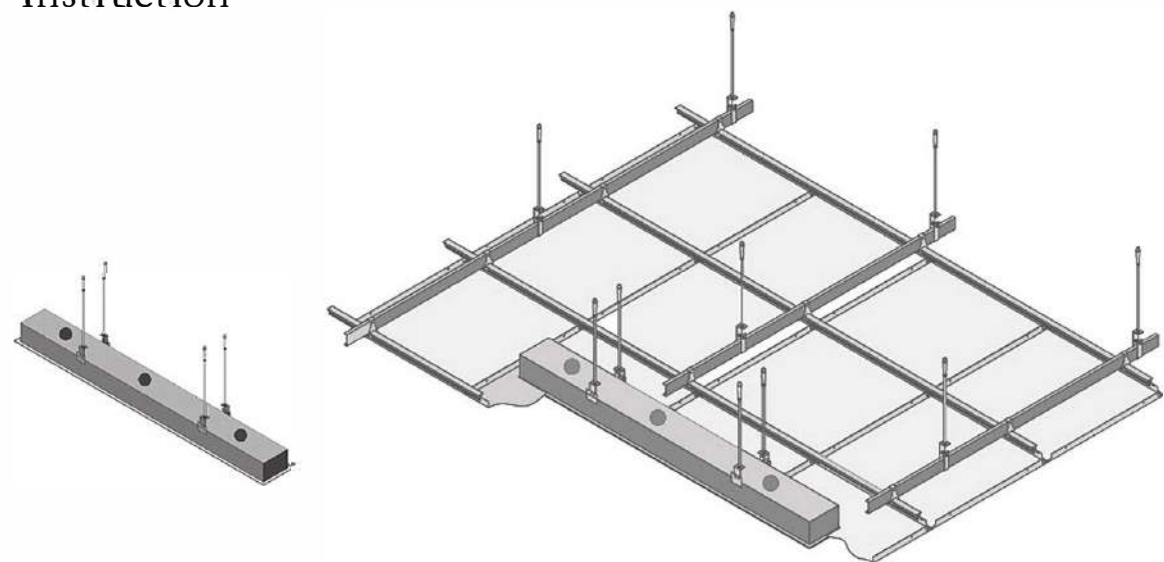


LED-1 LED-2 LED-3 LED-4 LED-5

* YCCY-008 Troffer

Available specifications:
150*1500mm、150*2000mm
200*1500mm、200*2000mm

Instruction



* YCCY-009 Bilaminar border



Clip-in assembly

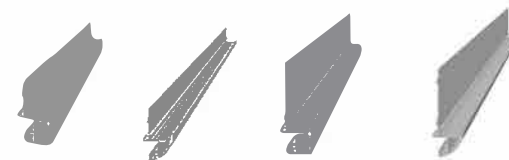
Components



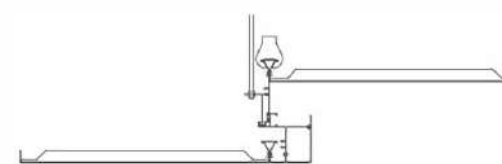
Assembled product



4 clip-in models as below



2 high edge models for ventilation system installation



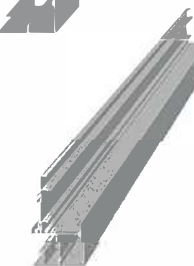
Installed structure for clip-in model

Lay-in assembly

Components



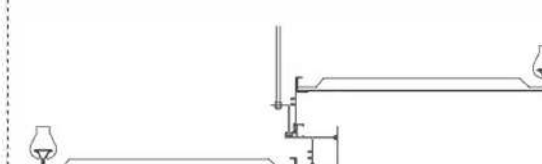
Assembled product



4 lay-in models as below

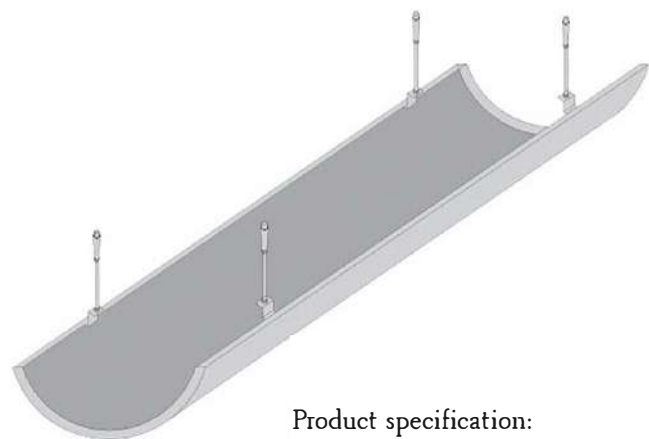


2 high edge models for ventilation system installation



Installed structure for lay-in model

✦ YCCY-013 Arc groove



Product specification:
400mm*1400mm

Optional LED light arc groove

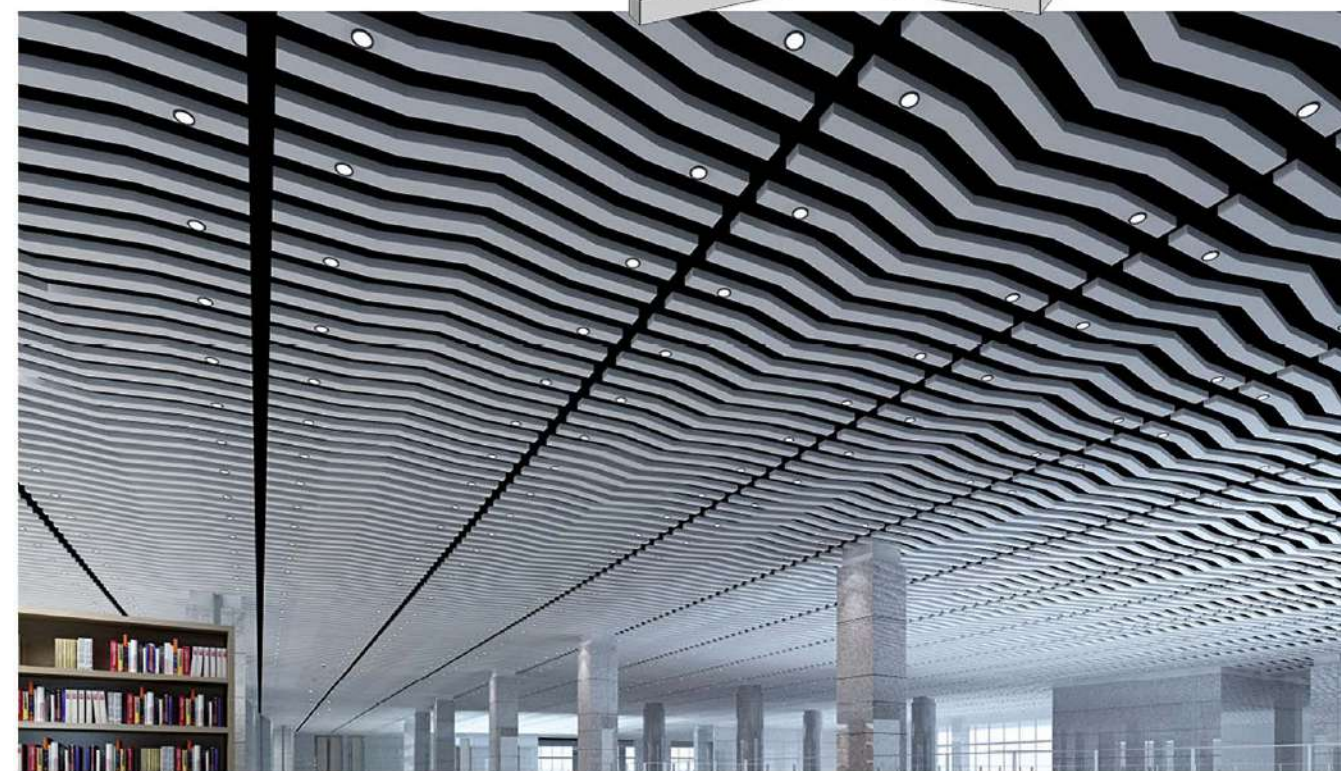


✦ YCCY-014 Horizontal wavy groove

Production specification:
40mm width*100mm height*2000mm length

✦ YCCY-015 Zigzag groove

Product specification:
100mm width*40mm height* 2000mm length



* YCCY-016 Vertical wavy groove



Product specification:
40mm width*50mm
height*2000mm length

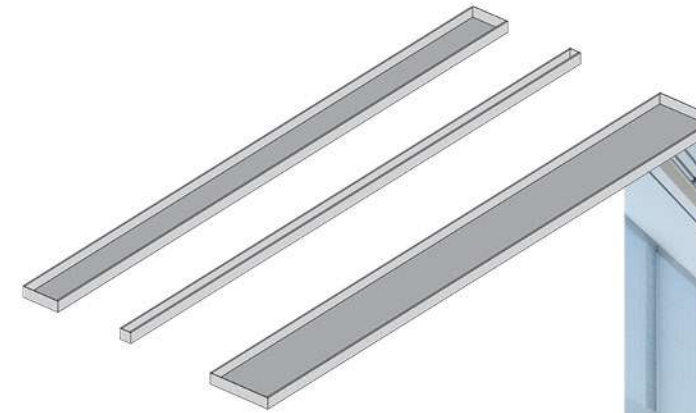


Wood color effect

* YCCY-017 Blended groove ceiling



White color effect



Large groove specification:
200mm width*40mm height*2000mm length

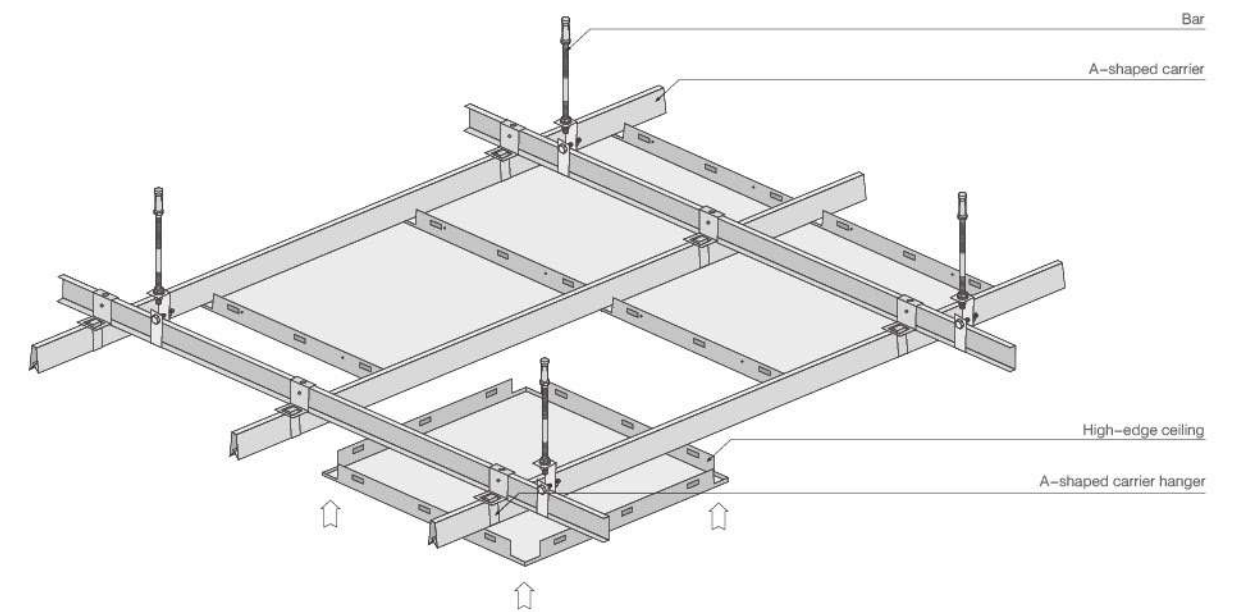
Medium groove specification:
120mm width*40mm height*2000mm length

Small groove specification:
40mm width*40mm height*2000mm length

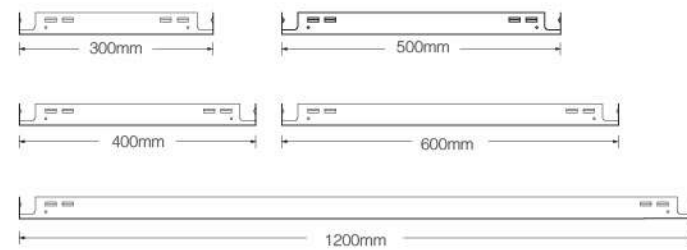




Instruction(high-edge clip-in)



* Alluminum Clip-in Ceiling



Specification (W x L)	300*300mm	400*400mm	500*500mm
	600*600mm	300*600mm	300*1200mm
	600*1200mm		

Thickness(D) 0.6-1.2mm

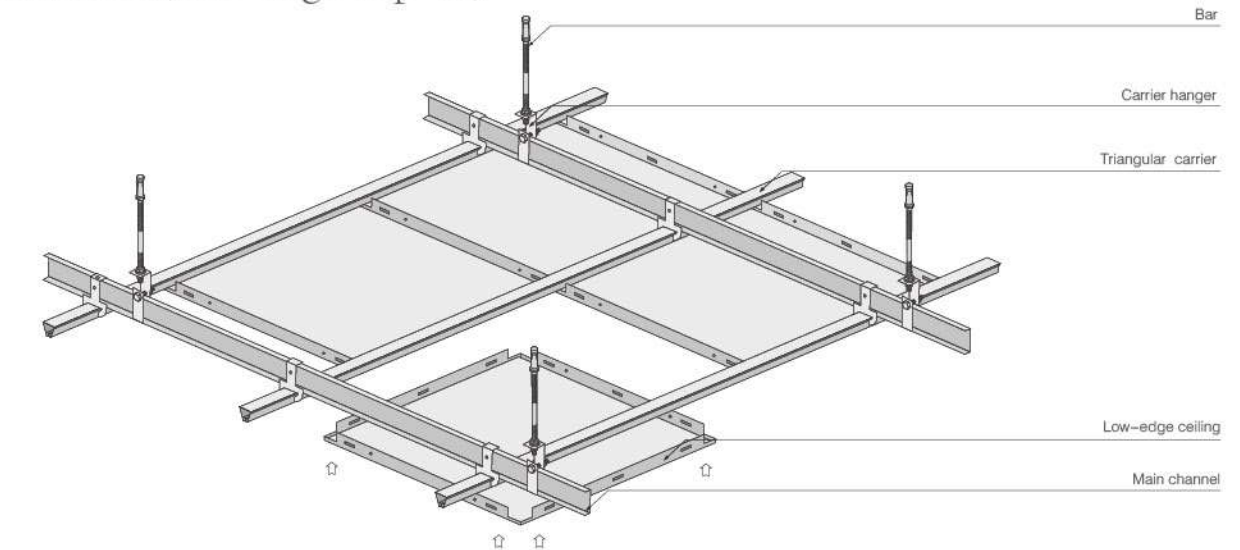
Height(H) 25mm 30mm

Note plain perforation

A-shaped t-grid(H) 38mm 50mm

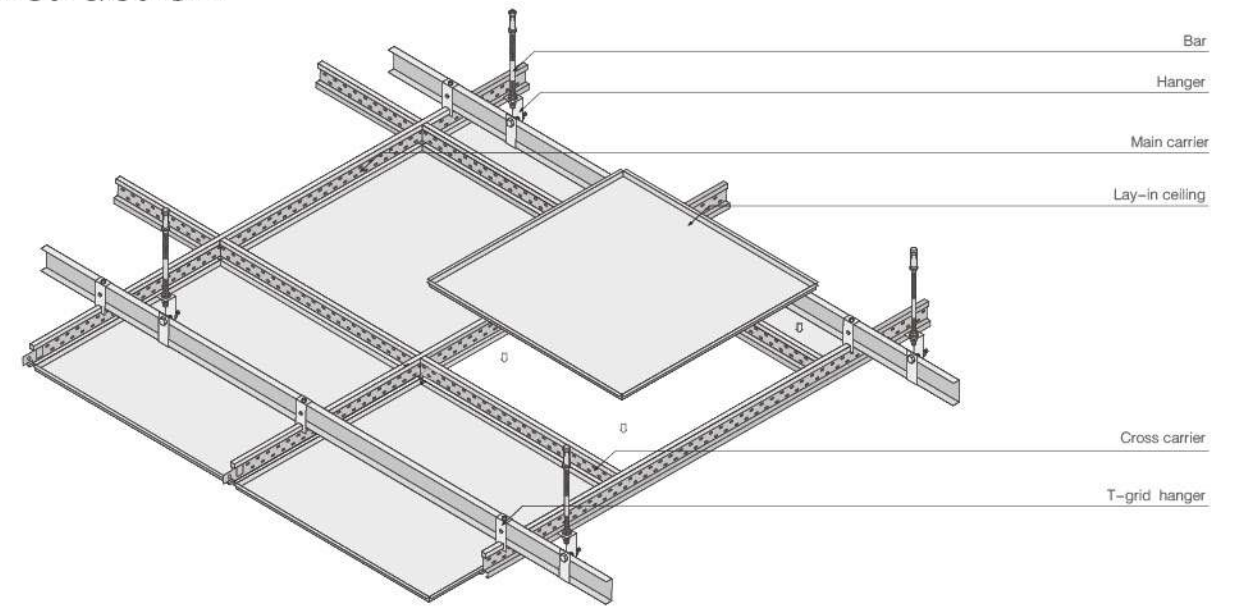


Instruction(low-edge clip-in)





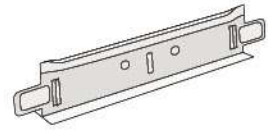
Instruction



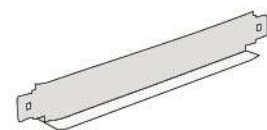
* Alluminum Lay-In Ceiling

T-grid Series

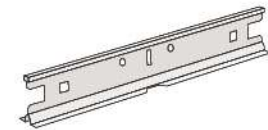
T-shaped Key T-grid With Varnish Baking



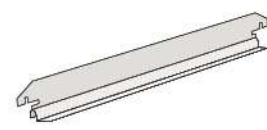
T-shaped Vice T-grid With Varnish Baking



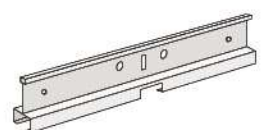
U-shaped Key T-grid With Varnish Baking



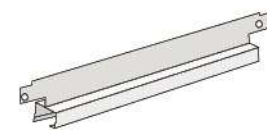
U-shaped Vice T-grid With Varnish Baking



Key T-grid With Varnish Baking of Square Groove Ceiling



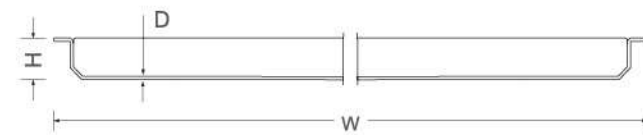
Vice T-grid With Varnish Baking of Square Groove Ceiling



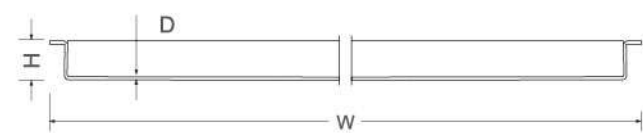
Ceiling down size	575*575mm	585*585mm
Ceiling up size	595*595mm	603*603mm
Thickness(D)	0.5~1.0mm	
Height of side(H)	7mm	8mm 9mm 10mm



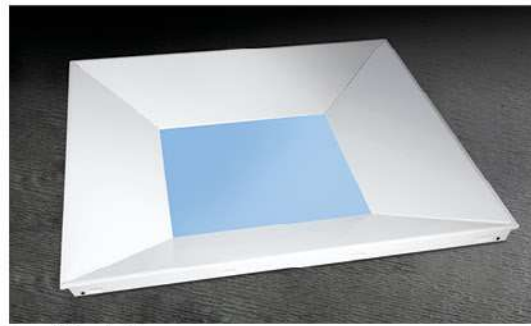
Beveled edge lay-in ceiling



Straight edge lay-in ceiling



* Aluminum Wekk-Shaped Ceiling

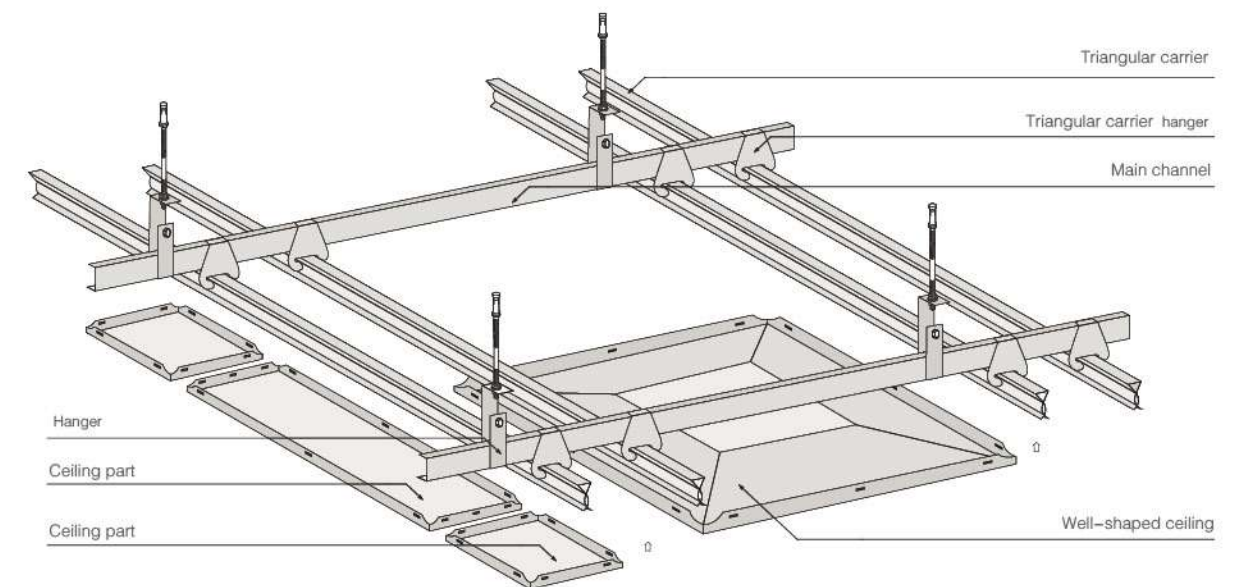


Deep well-shaped ceiling



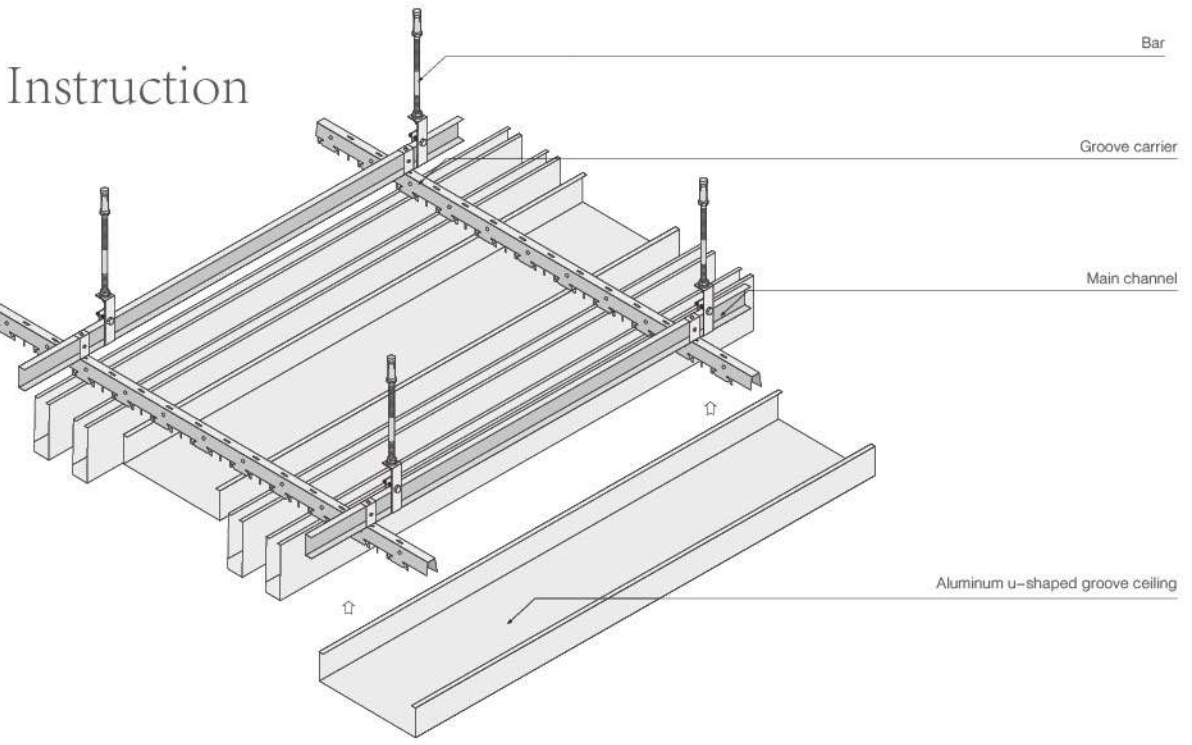
- The well-shaped ceilings break the traditional concept of the ceiling. The well-shaped design is elegant and rich in stereoscopic feeling, with a colourful world spreads out. The movable panel on the top of the well not only can be separately detached, but also can be painted into other colors to form an artistic space, which upgrades the decorative function of the ceiling.
- Suitable for shopping malls, supermarket, gas stations, railway stations, airport, schools, gymnasium, and the lobbies, corridors, toilets and so on.

Instruction



ALUMINUM U-SHAPED GROOVE CEILING

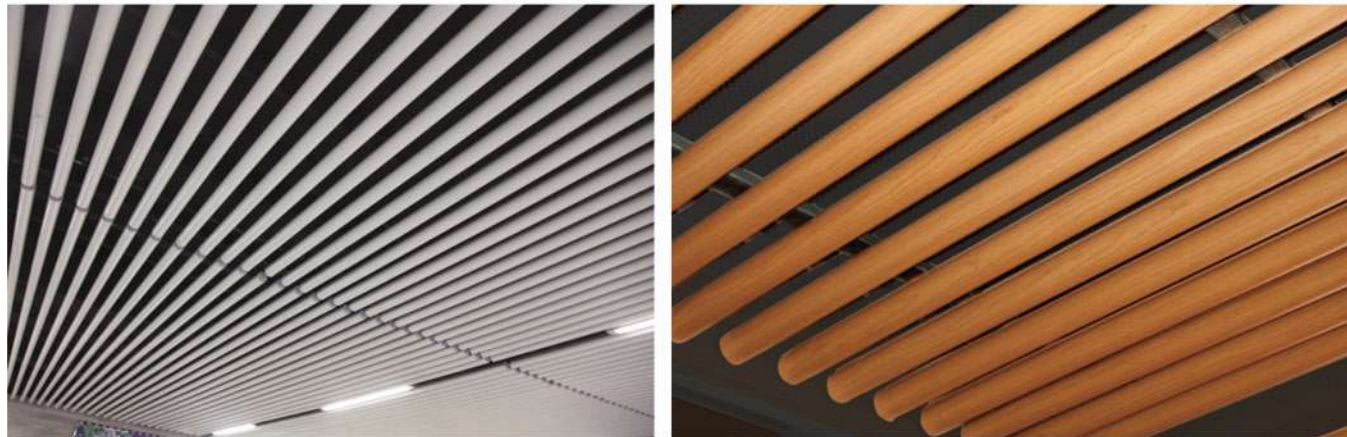
- The aluminum U-shaped groove ceiling, arranged neatly on the same height, makes wide vision, which also convenient for the ventilation, fire sprinklers. The ceiling is firmly installed, easy to assemble and disassemble, collocate well with the lights and convenient for maintenance. Besides, even color of the product can keep unfaded indoor for 10 years.
- Suitable for corridors, bars, libraries, clubs, exhibitions, railway stations, airports, shopping malls, offices and other places.



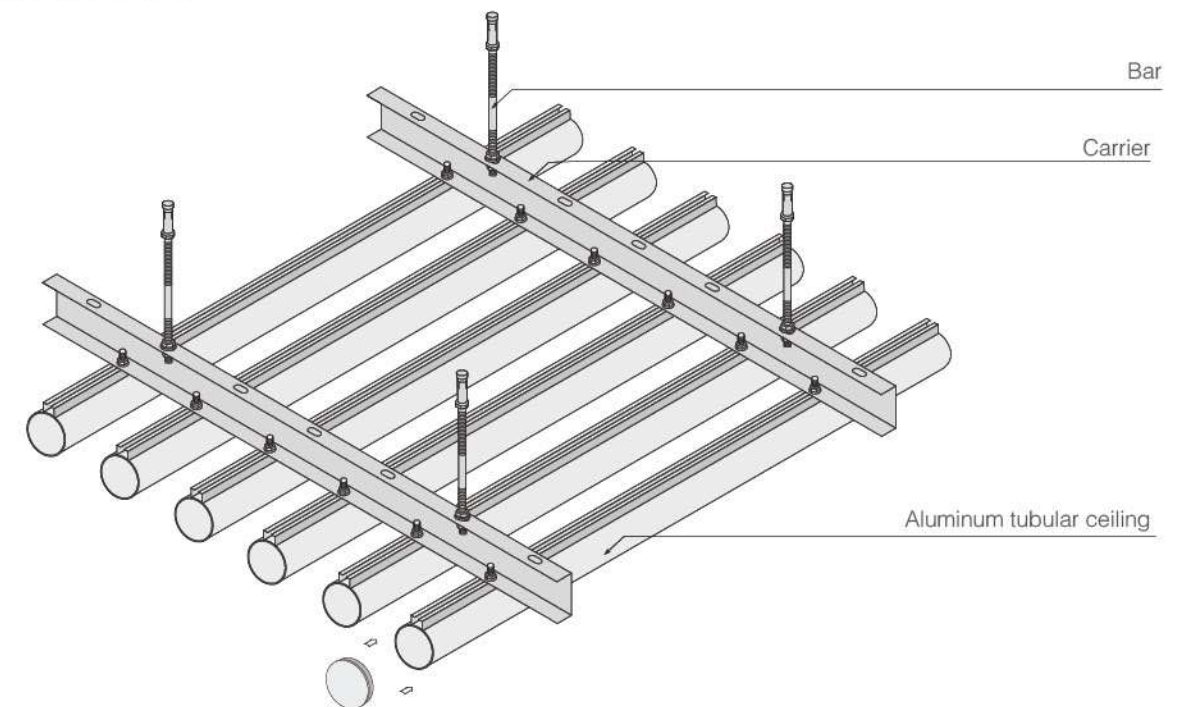


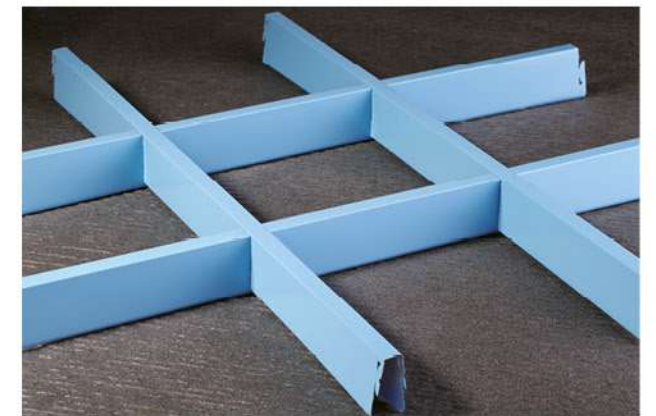
- The aluminum tubular ceiling is the round beam structure, simple and elegant, the streamlined vision which can adjust the visual image and not affecting the fire sprinklers.
- The specialized manufacture, creates a unique visual effect, also, the open structure, makes a wide visual image.

ALUMINUM TUBULAR CEILING



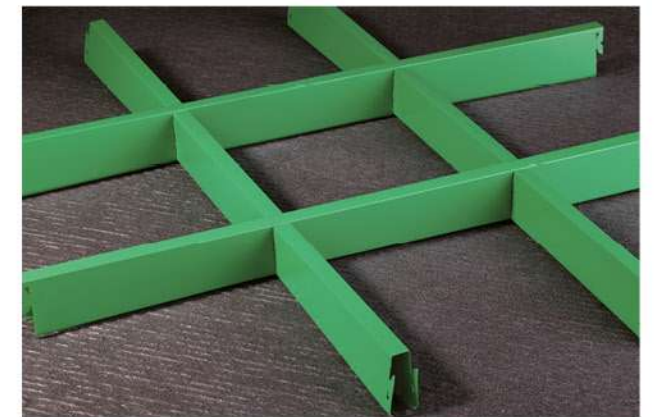
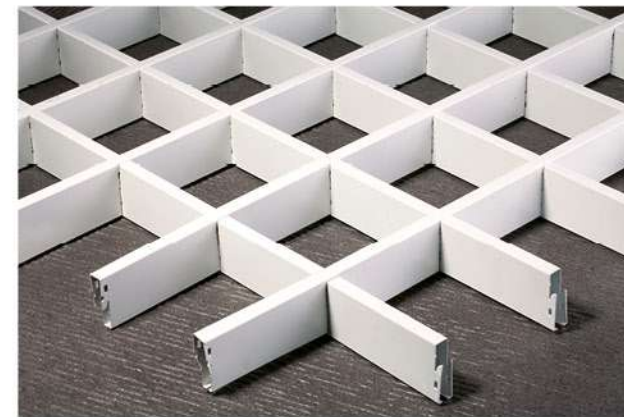
Instruction





● Aluminum ceiling grid is composed of grid main part, grid vice part and main channel. The grid ceiling is decorative one, which is criss-cross design, unit combination and open style.

● Well-ventilated, fire-proof, easy to install, special layered structure, open stereoscopic feeling, beautiful and colorful.

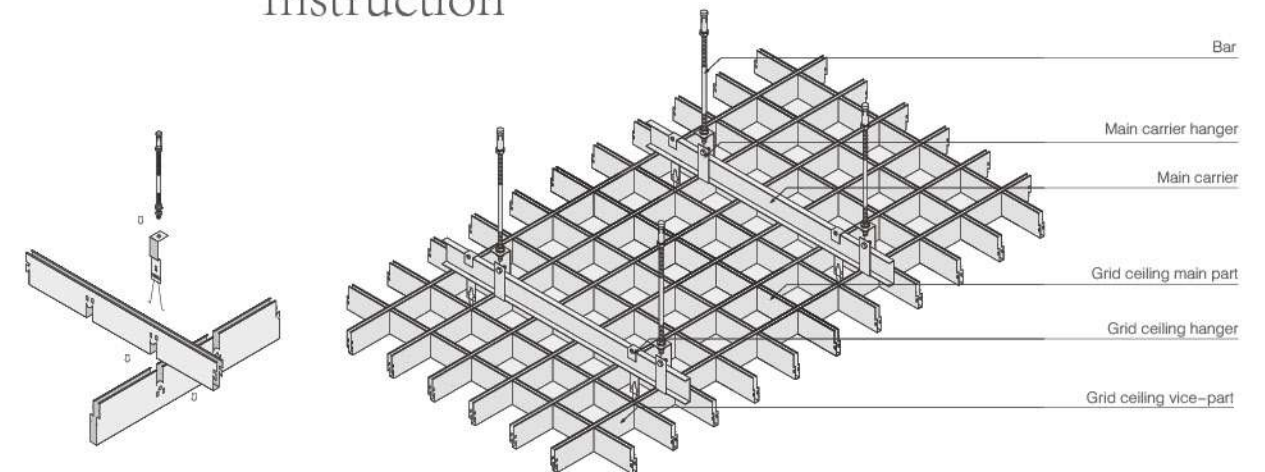


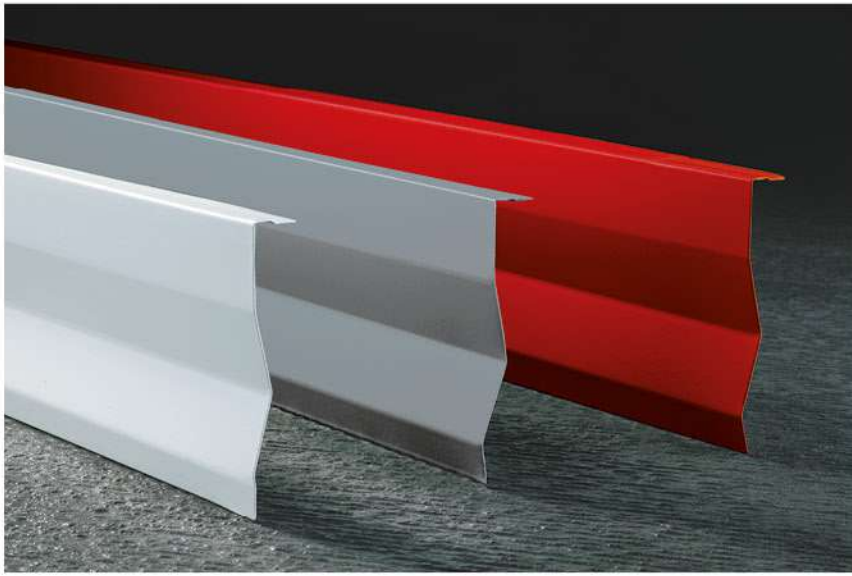
ALUMINUM GRID CEILING



Face width(W)	10mm	15mm	20mm											
Height(H)	30mm	38mm	40mm	45mm	50mm	55mm	60mm	65mm	70mm	80mm	90mm	100mm		
Cell interval(D)	50*50mm	75*75mm	100*100mm	125*125mm	150*150mm	200*200mm	250*250mm	300*300mm						

Instruction

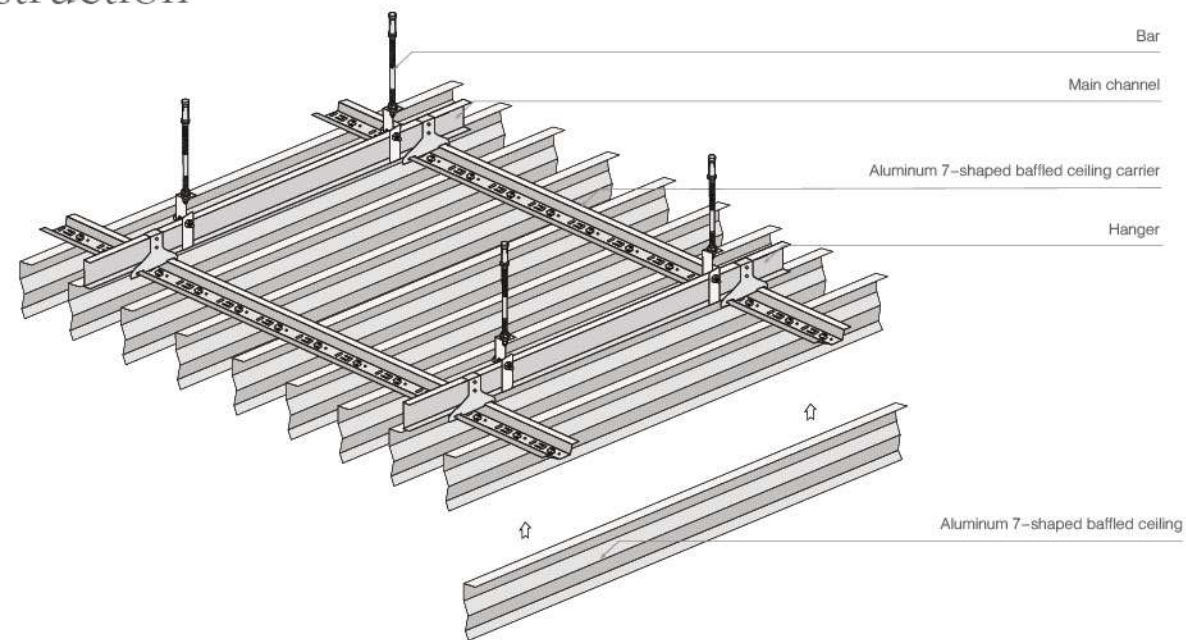




ALUMINUM 7-SHAPE BAFFLED CEILING

- By one-way installation of the ceiling, creating a screen vision. With the bright and elegant lines, 7-shaped baffled ceiling can produce the curtain effect if it choose appropriate height and visual angle. Moreover, it is easy to maintain and the whole space is commodious and ventilated.
- Suitable for office buildings, offices, corridors, airports, railway stations, factories, hospitals, clubs, banks, shopping malls, exhibition halls and so on.

Instruction

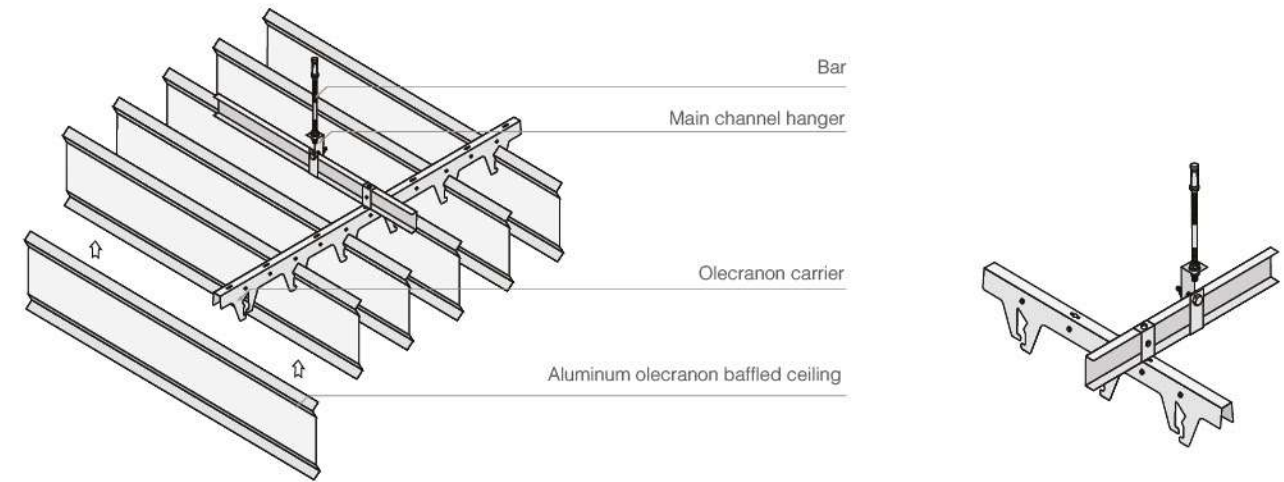


ALUMINUM OLECRANON BAFFLED CEILING

- Made of aluminum panel, electrostatic powder coating, olecranon baffled ceiling impresses people of the stable structure, moreover, it is fireproof, corrosion resistance, dampproof, sound-absorbing. Inserting straight to install, it is easy to assemble and unassemble, convenient for other equipments to maintain, such as electrical wire, water pipe, lighting, fire fighting device.
- Suitable for all kinds of channels of large public buildings, airports, exhibition halls, shopping centers, stations, tunnel corridors, etc.



Instruction



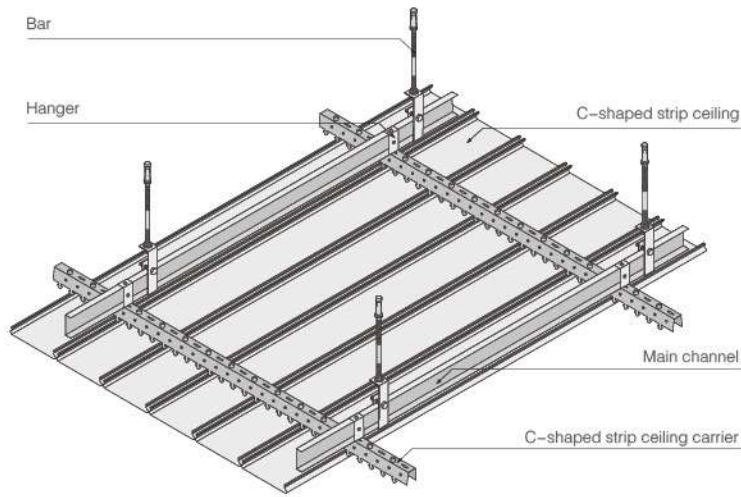
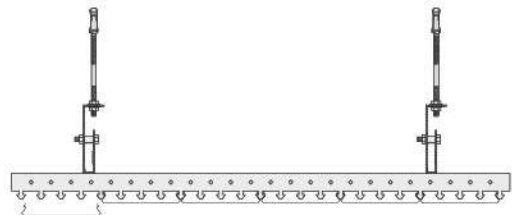
- The strip shape, smooth panel, close seam, clear line, C-shaped strip ceiling can form varieties of combination according to the width. The entire ceiling is neat, natural, compact arrangement, perspective space, modern style, also fireproof, corrosion resistance, dampproof, easy to assemble and disassemble. Besides, adding a piece of SoundTex on the backside of the punching panel is beneficial for Sound-absorbing.

- Suitable for shopping malls, hotels, office buildings, senior housing and so on.



C-SHAPED STRIP CEILING

Instruction



Width(W)	75mm	100mm	150mm	200mm	300mm
Thickness (D)	0.6-1.0mm				
Length (L)	customized				
Height(H)	15.5mm				



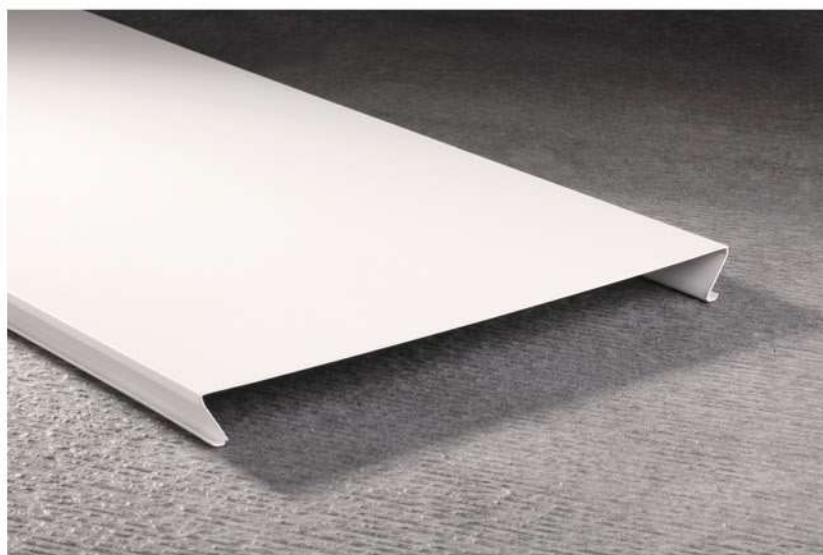
S-SHAPED STRIP CEILING

● With critic and scientific design, S-shaped strip ceiling is elegant and nature. On one hand, the ceiling relieves the drabness of the space, the fashion of streamlines fully spreads out, on the other hand, based on the special windproof design, the smooth and sealed panel reduces the dust, dirt and energy loss.

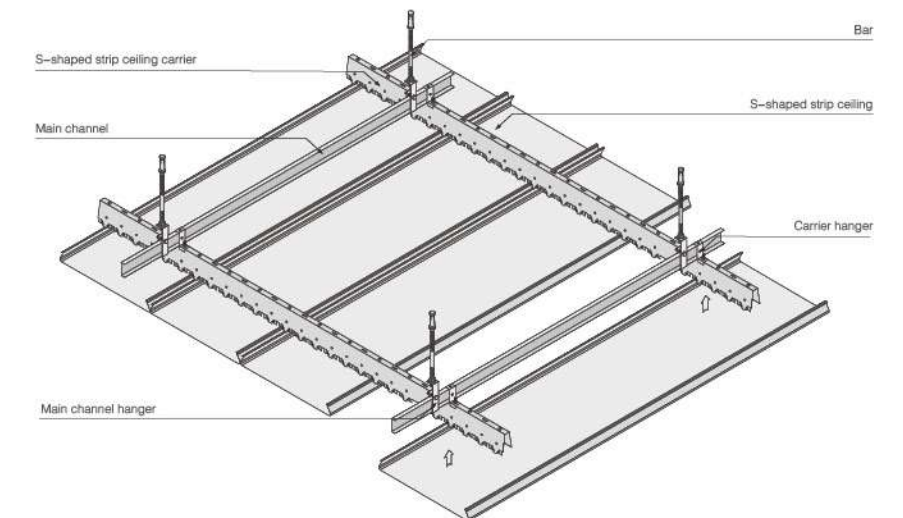
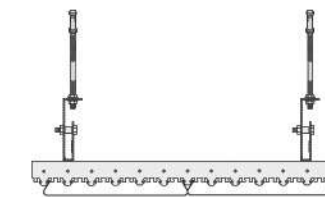
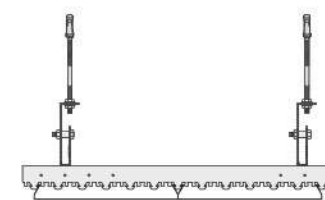
● Applicable to the corridor, swimming pools, gas stations, railway stations, airports and outdoor decorations.

	Straight angle	Beveled angle
Width(W)	300mm	300mm
Thickness(D)	0.8-1.0mm	0.8-1.0mm
Height(H)	28mm 30mm	30mm
Length (L)	customized	customized

Standard thickness: 0.8mm



Instruction

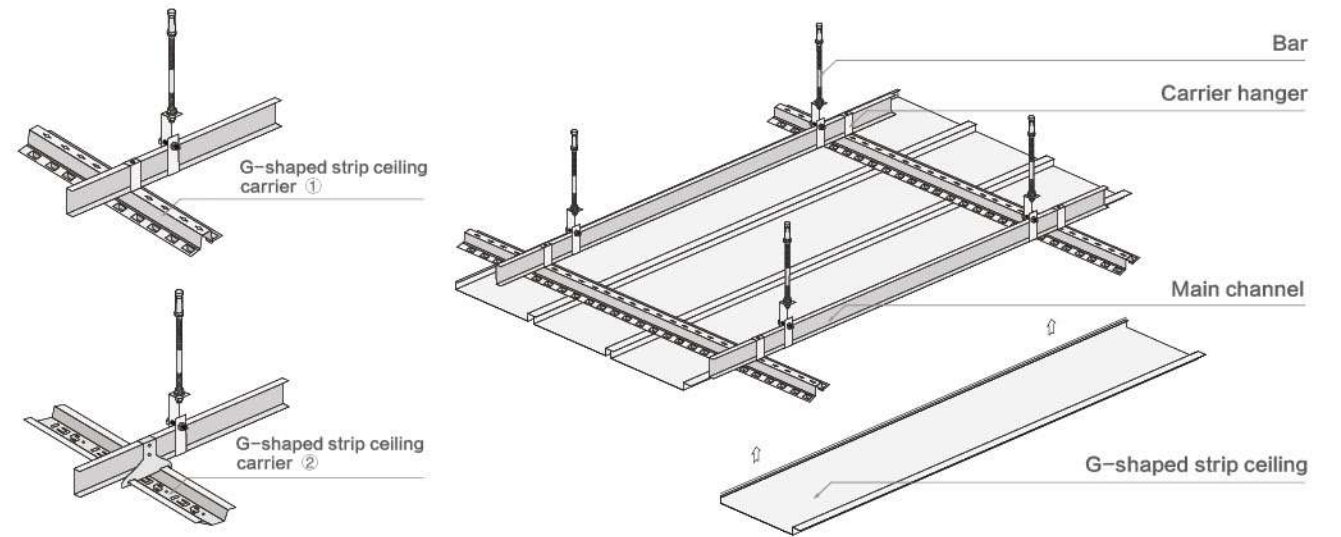


G-SHAPED STRIP CEILING

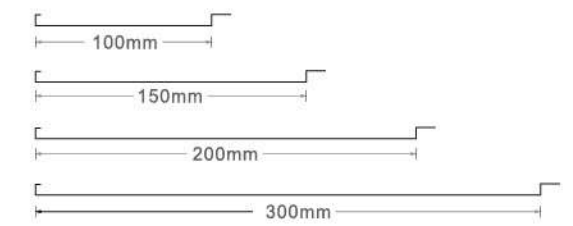
- Mainly made of high quality aluminum material, critically processed, G-shaped strip ceiling is different from traditional ceiling which offer rich colors to select. The open suspended ceiling build a elegant colorful space.
- Suitable for shopping malls, hotels, offices, entertainment facilities and so on.



Instruction

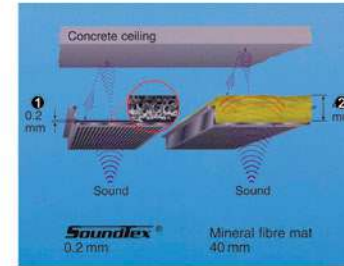


Width (W)	100mm	150mm	200mm	300mm
Thickness(D)	0.5-1.0mm			
Height(H)	11.5mm	15mm		
Length(L)	customized			



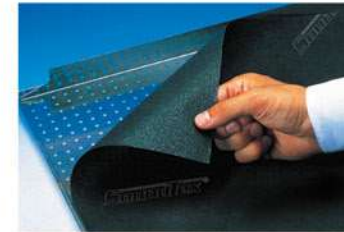
SOUND ABSORPTION SYSTEM

- Metal acoustic ceilings are artificial functional acoustic solutions. Noise is absorbed when the sounds are directed to specific zones, thus, the characteristics of the metal panel to influence the acoustic ability and feature in an indoors pace, in order to meet any specific expectations.
- For sound absorption, the propagation of sounds is absorbed by converting sound energy into thermal energy. Materials with sound-absorbing properties are called sound-absorbing materials. Be shown in Fig.1



The transformation process of sound, which is on sound-absorbing materials.

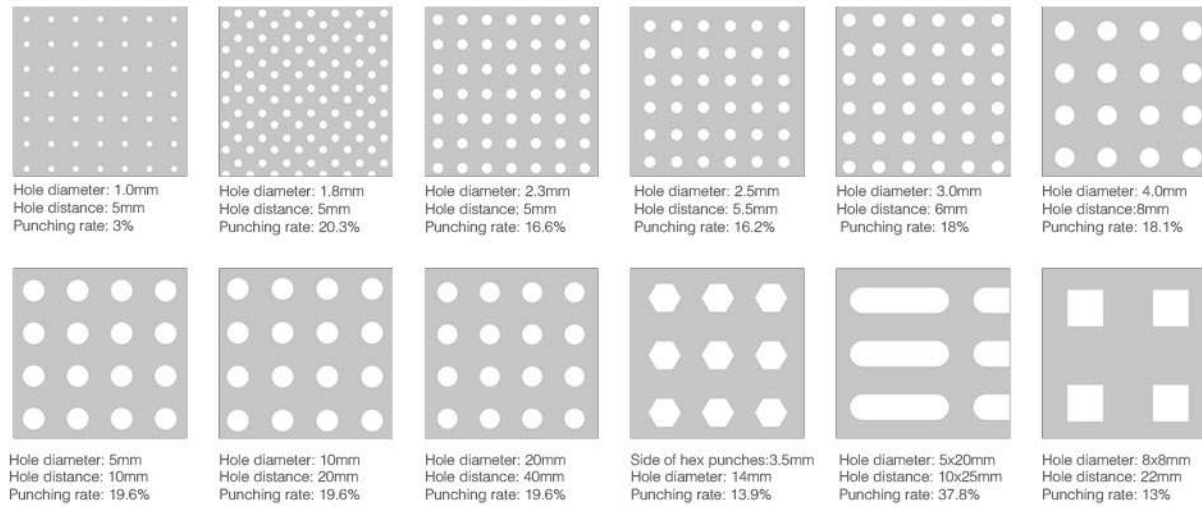
- In practice, perforated ceiling made of metal, wood, plastic or gypsum and provided with a porous sound-absorbing materia 1 (thickness is 40mm) on the back are used for absorption of air-borne noises. Be shown in Fig.2



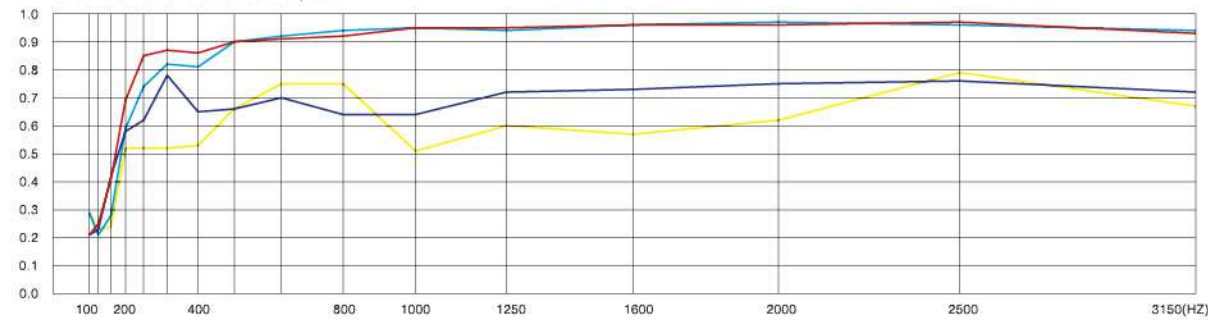
SoundTex sound-absorbing nonwovens can be mounted without difficulty into ceiling systems.

● Sound-absorbing Nonwovens

SoundTex sound-absorbing nonwovens is a sound dissipation and can be achieved by means of very thin absorbers presenting an appropriate sound impedance. A porous sound-absorbing material is our acoustic nonwoven SoundTex. On porous sound-absorbing materials, sound energy is mainly converted into thermal energy by viscous friction between the oscillating particles of the sound-propagating medium (air) and the structure of the porous material.



Coefficient of sound absorption

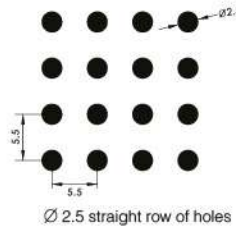
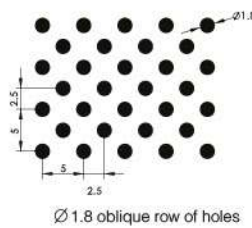


— \varnothing 2.5 stick a non-woven fabric

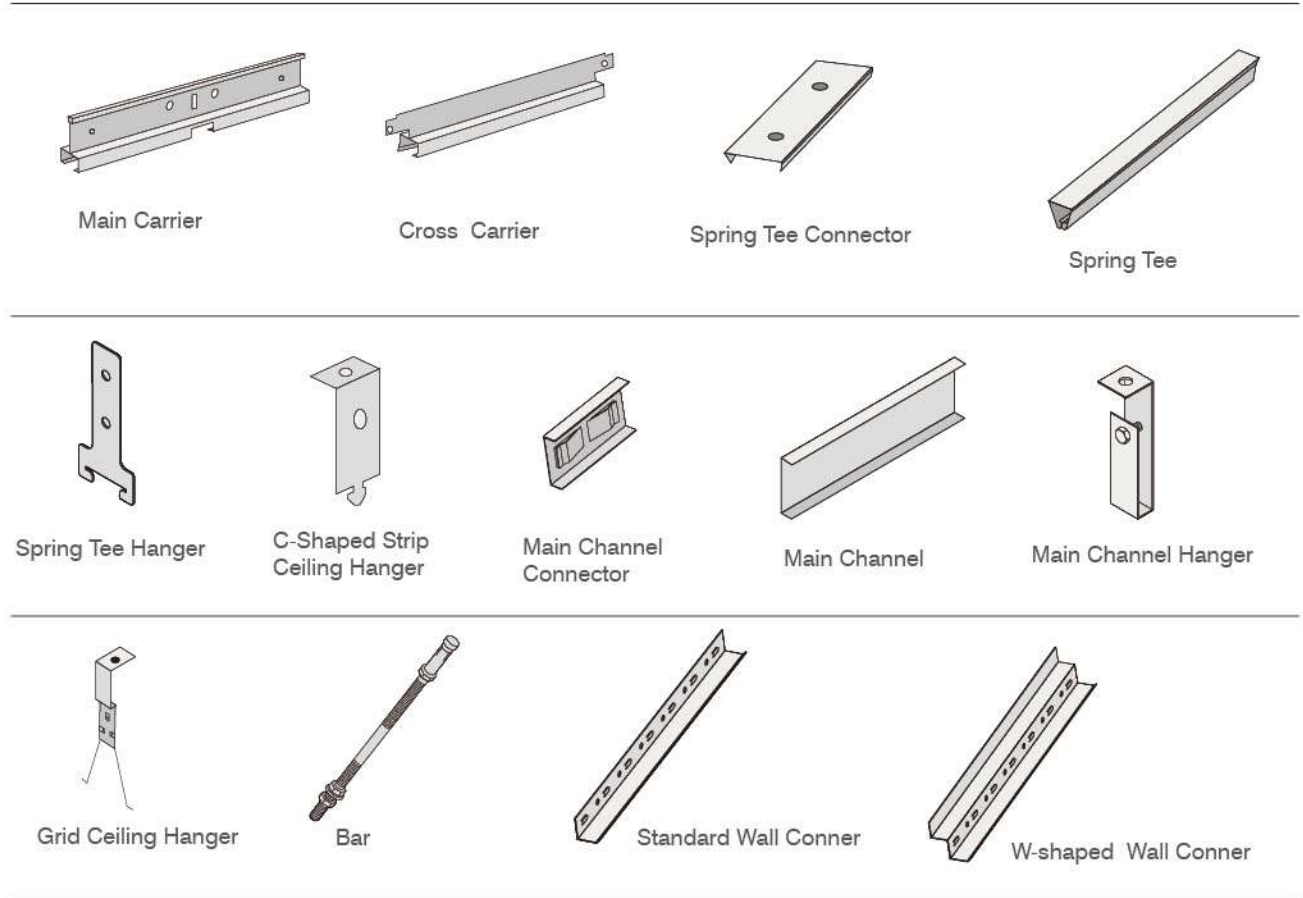
— \varnothing 2.5 stick a non-woven fabric and stick 40 mm thick glass wool again

— \varnothing 1.8 stick a non-woven fabric

— \varnothing 1.8 stick a non-woven fabric and stick 40 mm thick glass wool again



ACCESSORIES



WALL CORNER

